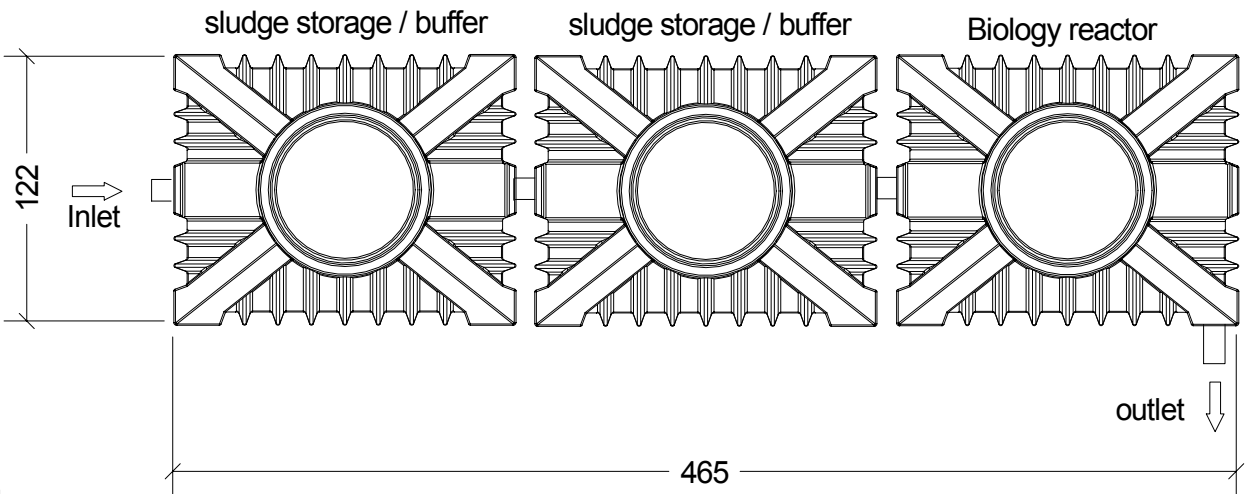
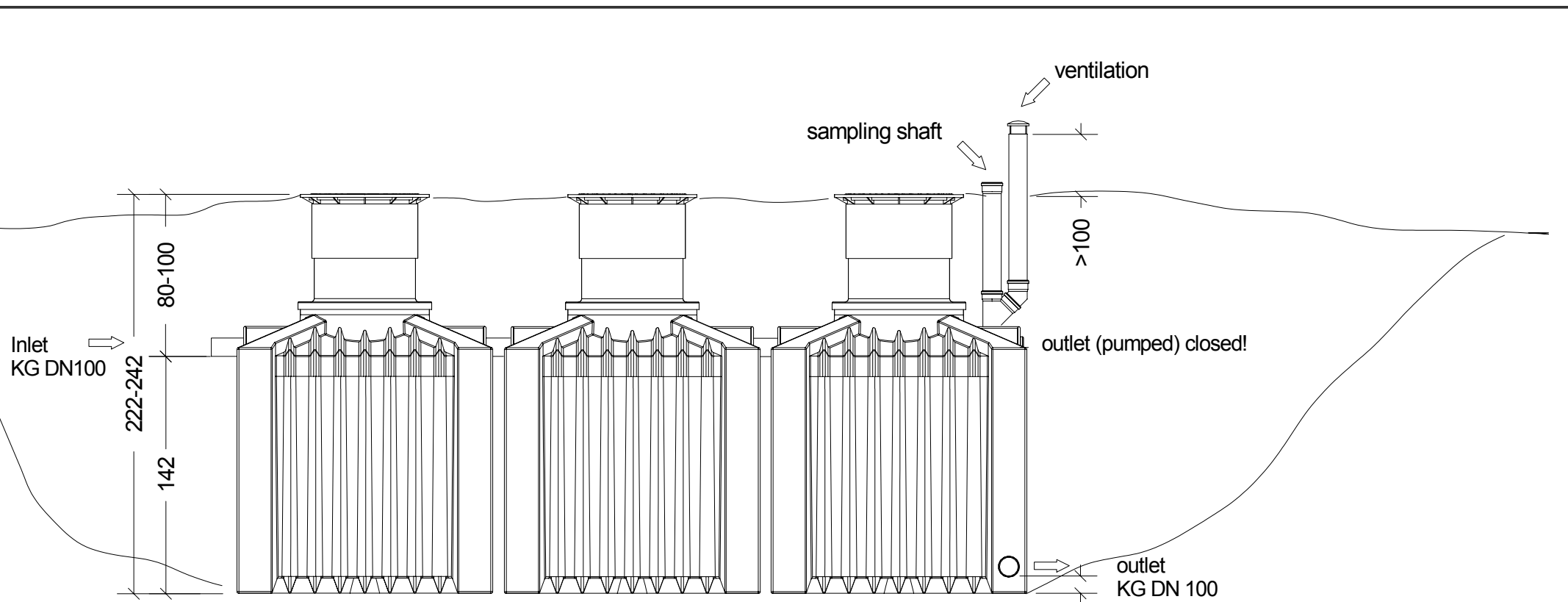


Pos.	Qty.	Description	Price/piece in €	Price/totaly in €
		<p><b>Fully biological, biofilm wastewater treatment plant with aerobic sludge degreement.</b>  <b>System ClearFox® nature, size 8 p.e.</b>                      Compact, modular treatment plant. Inlet and outlet openings for KG DN100 prepared (integrated high-quality EPDM seals already in the tank). The monolithic containers are all made from high quality PE in rotational moulding in one piece and must not to be screwed!                      Rips are vertical and proportional with the earth pressure stronger. Container equipped with a telescopic shaft for variable compensation of the entry shaft including walk-in cover (in child-execution). PE-tank on site has brought in standard horizontal rectangular box made of stainless steel for installation of water (upschwimming safety do it on site!). System CE compliant and EN 12566-3 including test certificates on request as following:  <b>Breakage vertical load:</b> PIA2007-BT-010  <b>Horizontal pressure stability:</b> PIA2010-ST-PIT1003-100  <b>Water leak:</b> PIA2007-WD001  <b>Hydraulic efficiency:</b> PIA2007-HW-002  <b>Material durability:</b> Polyethylen according EN 12566-3  <b>General approval C / N:</b> from April 2011  <b>Efficiency cleaning performance:</b> from March 2011                      No crane on construction site required as the largest single weight max. 160 kg.                      All the technical components in the system are factory pre-assembled ready for connection (plug and play).                      volume prechamber &gt; 550 liters per person value of long sludge storage, sludge thickening and buffering                      Documentation: <a href="http://www.clearfox.info">www.clearfox.info</a></p> <p><b>Technical data and dimensions:</b></p> <ul style="list-style-type: none"> <li>- 2 PE-tank 2250 Liter, (sludge storage and buffer) unit Weight: app.120 kg size: lxwxh 1535x1215x1710mm</li> <li>- 1 PE-tank 2250 Liter, (biological reactor) unit Weight: app.160 kg size: lxwxh 1535x1215x1710mm</li> <li>- required Size: 4,65x1,22m</li> <li>- maximum inlet depth: 1000mm below ground level</li> <li>- manhole tank: 600mm</li> <li>- plant size: 8 p.e. (inhabitants)</li> <li>- effluent values: class C/N (according to the German classification)</li> </ul> <p><b>Note:</b>                      The respective installation instructions, especially to be observed for tank installation. (<a href="http://www.aquaplast.de">www.aquaplast.de</a>)</p>		

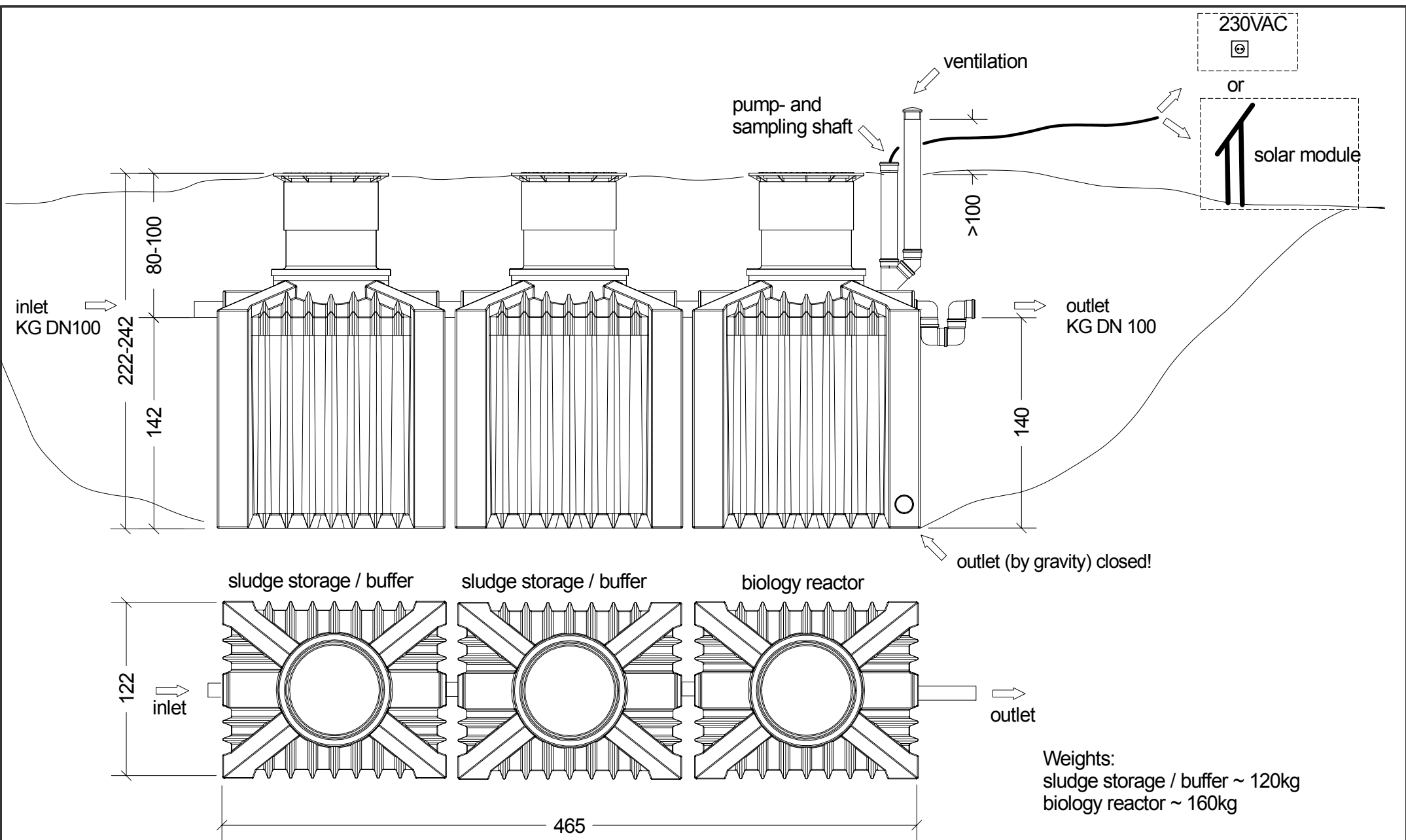


Weights:  
 sludge storage / buffer ~ 120kg  
 biology reactor ~ 160kg

Subject to technical changes

ClearFox nature (outlet by cravity)  
 8 p.e.  
 Drawing Nr.: Z15

Copyright at PPU	<a href="http://www.ppu-umwelttechnik.de">www.ppu-umwelttechnik.de</a>	<a href="http://www.clearfox.de">www.clearfox.de</a>		Datei: Zeichnung_Clearfox nature BEW (Ablauf Freispiegel)_E.skf	M
Please note: All our drawing are in property. All rights reserved. Duplication only with prior approval of PPU.				Datum: 03.09.2010	DIN A4
				gez.: rpo	



Weights:  
 sludge storage / buffer ~ 120kg  
 biology reactor ~ 160kg

Subject to technical changes

ClearFox nature (outlet pumped)  
 8 p.e.  
 Drawing Nr.: Z15.1